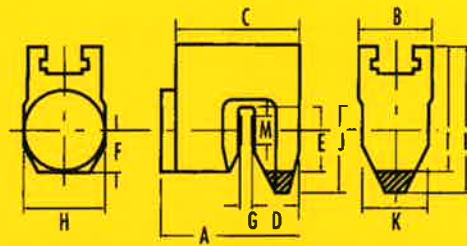


PVE Sheet pile clamps

| Clamp Model | Clamp Force kN | Total Weight kg | A | B | C | D | E | F | G | H | I | K |
|-------------|----------------|-----------------|------|-----|------|-----|-----|-----|----|-----|-----|-----|
| 55 | 550 | 340 | 740 | 280 | 680 | 237 | 245 | 150 | 33 | 280 | 465 | 145 |
| 60 | 600 | 310 | 660 | 300 | 416 | 235 | 238 | 150 | 30 | 270 | 465 | 120 |
| 85 | 850 | 600 | 850 | 300 | 760 | 300 | 295 | 170 | 34 | 330 | 500 | 240 |
| 110 | 1100 | 750 | 1045 | 460 | 835 | 350 | 325 | 200 | 34 | 385 | 590 | 270 |
| 150 | 1500 | 1270 | 1133 | 460 | 1000 | 483 | 345 | 205 | 35 | 460 | 705 | 270 |
| 200 | 2000 | 2000 | 1255 | 460 | 1040 | 503 | 370 | 280 | 34 | 530 | 920 | 300 |

all measurements in mm

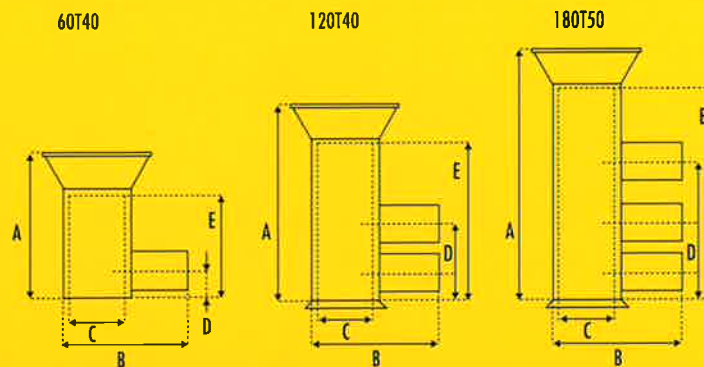


PVE Double clamp system

| Clamp Model | Clamp Force | Weight p. p. | A | B | C | D | E | F | G | H | I | J | K | L | M | Min. Tube Diameter |
|-------------|-------------|--------------|-----|-----|-----|-----|-----|-----|----|-----|-----|-----|-----|-----|-------|--------------------|
| 55 | 550 kN | 310 kg | 490 | 300 | 405 | 120 | 200 | 135 | 35 | 270 | 450 | 200 | 270 | 450 | ∅ 95 | ∅ 280 |
| 80 | 800 kN | 500 kg | 590 | 300 | 525 | 196 | 280 | 180 | 55 | 340 | 540 | 370 | 270 | 630 | ∅ 105 | ∅ 400 |
| → 100 | 1000 kN | 690 kg | 638 | 380 | 573 | 225 | 295 | 195 | 53 | 380 | 555 | 295 | 300 | 555 | ∅ 130 | ∅ 450 |
| 150 | 1500 kN | 1300 kg | 815 | 420 | 790 | 305 | 330 | 210 | 60 | 420 | 750 | 330 | 330 | 750 | ∅ 180 | ∅ 610 |

all measurements in mm

PVE delivers a wide range of baseplates, turningplates and adaptorplates for numerous applications such as AZ sheetpiles, double- and triple sheetpiles in 400, 500, 600 and 700 mm. Almost every application is possible. For sale or for rent.



PVE Pile clamp system

| Clamp Model | Clamp Force | Total Weight | A | B | C | D | E |
|-------------|-------------|--------------|------|------|-----|------|------|
| 60T40 | 600 kN | 850 kg | 1100 | 950 | 410 | 300 | 800 |
| 120T40 | 1200 kN | 1300 kg | 1470 | 950 | 410 | 550 | 1250 |
| 180T50 | 1800 kN | 2700 kg | 2750 | 1050 | 520 | 1300 | 2500 |

all measurements in mm

Pile clamps are available in various versions, suitable for round or square piles, for wood or concrete with diameters ranging from 300 mm to 500 mm